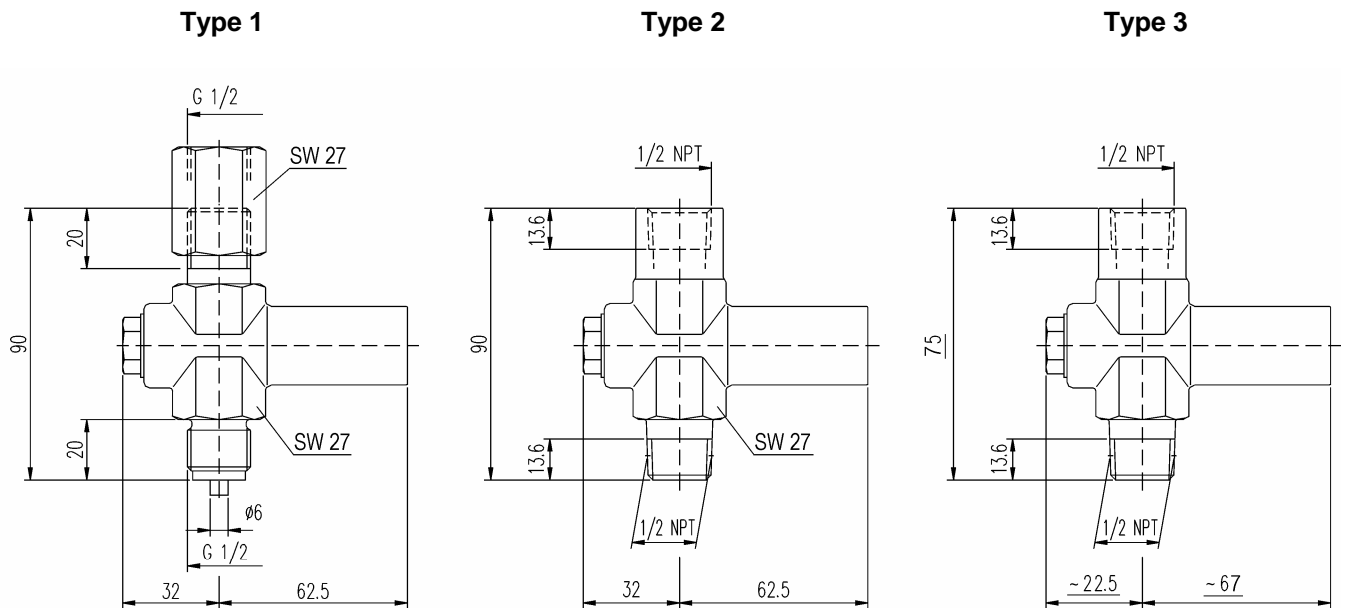


Gauge protector for pressure gauges



			Adjusting range in bar						
			0,4 - 2,5	2 - 6	5 - 25	20 - 60	50 - 250	240 - 400	400 - 600
Type	Connec- tion ³⁾	Material	Part no.						
1	G 1/2	Brass	15-PL02-MS-51-205	15-PL02-MS-51-006	15-PL02-MS-51-025	15-PL02-MS-51-060	15-PL02-MS-51-250	15-PL02-MS-51-400	15-PL02-MS-51-600
		St. st.	15-PL02-SS-51-205	15-PL02-SS-51-006	15-PL02-SS-51-025	15-PL02-SS-51-060	15-PL02-SS-51-060	15-PL02-SS-51-400	15-PL02-SS-51-600
2	1/2 NPT	Brass	04-PL02-MS-50-205	04-PL02-MS-50-006	04-PL02-MS-50-025	04-PL02-MS-50-060	04-PL02-MS-50-250	-	-
		St. st.	04-PL02-SS-50-205	04-PL02-SS-50-006	04-PL02-SS-50-025	04-PL02-SS-50-060	04-PL02-SS-50-250	04-PL02-SS-50-400	-
3		Monel	04-PL02-P-50-205	04-PL02-P-50-006	04-PL02-P-50-025	04-PL02-P-50-060	04-PL02-P-50-250	04-PL02-P-50-400	-

D V G W - Registration (only for type 1 up to 400 bar)
Component test no. TÜV.AR. 167-98
DVGW-Register-No. DG-4515AO0762
 The part numbers for types with DVGW-registration have to be complete with **DVGW** (e. g. adjusting range 240 - 400 bar 15-PL02-MS-51-400-**DVGW**).

Material	Max. overpressure	Low pressure range
brass	600 bar	max. load up to -1 bar, not adjustable
stainless steel	1000 bar	

Components	Brass	Stainless steel ¹⁾	Monel
	DIN-Material Number		
Body ^{1) 2)}	brass	316Ti (1.4571)	Monel (2.4360)
Piston	316Ti (1.4571)		
Adjusting nut	steel ⁴⁾	316Ti (1.4571)	
Packing	FPM (Viton®) ⁵⁾		
Screw plug	brass	316Ti (1.4571)	Monel (2.4360)

- **Body:**
 - brass: pressed part
 - stainless steel: die-pressed part
 - Monel: bar stock
 - **Application:**
Gauge protectors close at a set point protecting gauges from overrange pressures.
 - **Function:**
By reaching the adjusted pressure, the valve closes automatically and blocks the flow to the pressure instrument. After decrease of pressure by about 25 % below the closing pressure, the valve opens again.
 - **max. temperature:** 80 °C (60 °C for DVGW version)
- ¹⁾ Available with inspection certificate 3.1.B acc. to EN 10 204
²⁾ Can also be supplied for oxygen application, free of oil and lubricant (Please notice order instruction B 3!)
³⁾ Other connection types on request
⁴⁾ DVGW-type made of brass
⁵⁾ DVGW-type diaphragm made of NBR