


All stainless steel process gauge open or solid front Model T5500 and T6500

According EN 837-1
 Nominal size 100 mm or 160 mm
 Accuracy: Class 1 (EN)



FEATURES

- Rugged stainless steel construction
- Socket and case welded
- Protection IP66/IP67 (NEMA 4X)
- Optional ATEX approved
 CE  II 2 GD c
- Usable to full scale
- Overload protection 130 %
- Dry, liquid filled or liquid less (PLUS! gauge)
- Measuring system stainless steel or Monel

RANGES


- 1 ... 0 bar up to 0 ... 1000 bar
- 30 in. Hg ... 0 psi up to 0 ... 15.000 psi

APPLICATIONS

- Chemical and petrochemical industry
- Machine and apparatus construction
- Food and beverage industry
- Pulp and paper industry

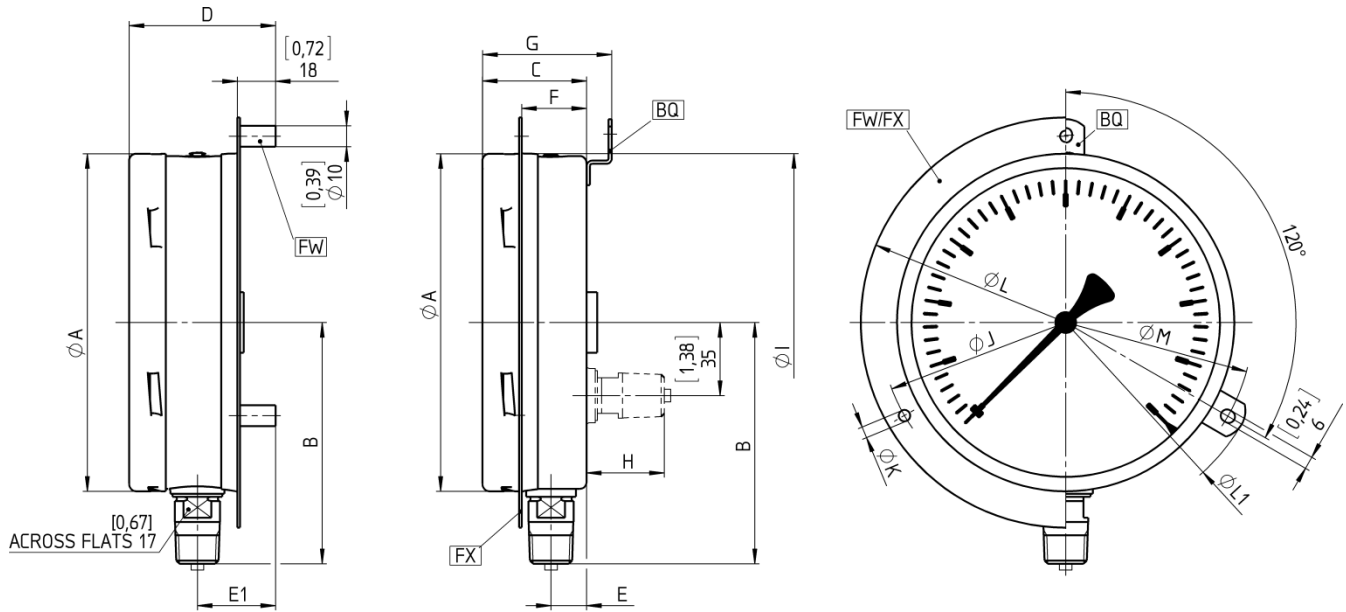
SPECIFICATIONS

- Model Number:** T5500, open front, rear blowout disk
 T6500, solid front, rear blowout disk
- Accuracy:** Standard: Class 1, 1% full scale
 Optional: 0.5 % F.S.
- Dial Size:** 100mm or 160mm diameter
- Case Material:** Standard: 304 stainless steel,
 Optional: 316 stainless steel
 T5500: open front, rear blowout disk
 T6500: solid front, rear blowout disk
- Bayonet Ring:** 304 stainless steel
 316 stainless steel optional
- Window:** T5500: Standard: glass,
 Optional: laminated safety glass or acrylic
 T6500: Standard: laminated safety glass
 Optional: acrylic

- Dial:** Aluminum, white background, black figures and intervals.
- Pointer:** Standard: aluminum black
 Optional: adjustable micrometer, red set hand, maximum pointer
- Movement:** 304/303 stainless steel
- Bourdon Tube and Socket:** Standard: 316L stainless steel
 Optional: Monel
- Connection Size:** ¼ NPT male, ½ NPT male G ¼ B male, G ½ B male
 Others on request
- Connection Location:** T5500: Lower or back
 T6500: Lower only
- ATEX:** Conformity acc. to RL 94/9/EC appendix X for mechanical equipment in potential hazardous areas
 Optional, Marking
 CE  II 2 GD c IIC Tx
 File No. 35134585 at notified body 0044, TÜV NORD CERT (only with safety glass or acrylic glass)
- Weather Protection:** IP66 (NEMA 4X): Dry case
 IP67 & IP66 (NEMA 4X): Liquid filled or hermetically sealed case
- Temperature:** Ambient: -40 ... 70 °C
 -25 ... 60 °C (ATEX)
 Medium: Max. 200°C dry
 Max. 100°C liquid filled
 Storage: -40 ... 70 °C
 -25 ... 60 °C (ATEX)
 Effect: Max 0.4 % / 10 K
- Weight in kg (100/160 mm):** T5500: 0,9 -1,2 (dry)
 1,2 - 2,0 (liquid filled)
 T6500: 0,9 -1,2 (dry)
 1,2 - 2,0 (liquid filled)
- Mounting:** Standard: stem
 Optional: flush or surface
- Filling:** Glycerin, Silicone, Halocarbon
 Others on request
- OPTIONAL FEATURES**
- PLUS!™ Performance:** LL
- Shatter Proof Glass Window:** SG
- Acrylic Window:** PD
- Set Hand:** SH
- Maximum Pointer:** EP
- Electrical Contact:** see data sheet T5500-KF
- Integrated pressure transducer:** see data sheet T55E

General dimensions in mm

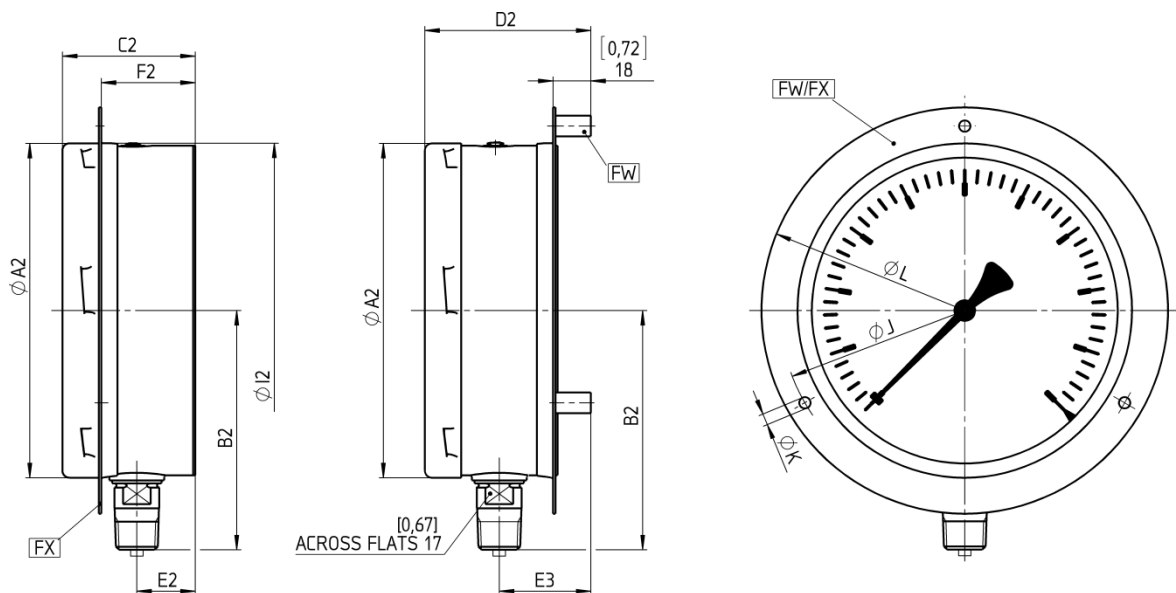
T5500 open front with blow out compensation plug



NG	A	B	C	D	E	E1	F	G	H	I	J	K	L	L1	M
100 mm	[3,97] 101	[3,36] 85	[2,01] 51	[2,72] 69	[0,73] 18,5	[1,44] 36,5	[1,26] 32	[2,48] 63	[1,38] 35	[4,00] 102	[4,57] 116	[0,19] 4,8	[5,20] 132	[5,28] 134	[4,69] 119
160 mm	[6,35] 161	[4,54] 115	[1,96] 50	[2,76] 70	[0,67] 17	[1,47] 37	[1,22] 31	[2,43] 62	[1,46] 37	[6,36] 162	[7,01] 178	[0,22] 5,5	[7,72] 196	[7,64] 194	[7,05] 179

Rev. M

T6500 solid front with blow out back wall



NG	A2	B2	C2	D2	E2	E3	F2	I2	J	K	L
100 mm	[3,97] 101	[3,36] 85	[2,38] 61	[2,91] 74	[1,02] 26	[1,55] 39	[1,63] 42	[4,00] 102	[4,57] 116	[0,19] 4,8	[5,20] 132
160 mm	[6,35] 161	[4,54] 115	[2,52] 64	[3,15] 80	[1,11] 28	[1,74] 44	[1,78] 45	[6,36] 162	[7,01] 178	[0,22] 5,5	[7,72] 196

Rev. M

Ashcroft Instruments GmbH

Germany
Max-Planck-Str. 1, D-52499 Baesweiler
P.O. Box 11 20, D-52490 Baesweiler
Tel.: +49 (0) 2401 808-0, Fax: +49 (0) 2401 808-125

France
48, Chemin des Landes
F-69700 Montagny
Tel.: +33 (0) 9 65 32 71 31, Fax: +33 (0) 4 72 39 10 57

Website: www.ashcroft.eu

e-Mail: sales@ashcroft.com

United Kingdom

Unit 17&18 William James House
Cowley Road, Cambridge CB4 0WX
Tel.: +44 (0) 12 23 39 55 00, Fax: +44 (0) 12 23 39 55 01

Order information

Size	Type	System material	Execution	Process connection	Connection orientation	Range	Engineering unit	Filling/Case material	Options	
(100) 100 mm	T5500	(S) 316L (1.4404) ≤ 1000 bar	(D) Dry (L) Liquid filled	(04) ½ NPT male ¹⁾	(L) Lower (B) Back ¹⁾	-1/ 0 ¹⁾ -1/ 1,5 -1/ 3 -1/ 5 -1/ 9 -1/ 15 -1/ 24 0/ 0,6 ²⁾ 0/ 1 ¹⁾ 0/ 1,6 0/ 2,5 0/ 4 0/ 6 0/ 10 0/ 16 0/ 25 0/ 40 0/ 60 0/ 100 0/ 160 0/ 250 0/ 400 0/ 600 0/1000	(BAR)	(=) Standard no filling (GV) Silicone (GV3) Silicone 3 cst (GR) Glycerin (GX) Halocar- bon ¹⁾ (LJ) Field fillable (only for execution D) (YW) Case ma- terial 316L (1.4404)	(NH) Tagging wired (CS) Dual scale (Outer scale is dominant) (DA) Dial Marking (TU) Throttle plug stainless steel (6B) Cleaned for Oxygen service (not for T5500 (open front) acc. EN 837-1) (6W) Cleaned free of oil and grease (MP) Micrometer pointer (PD) Acrylic glass (SG) Safety glass (BQ) Wall mounting brackets (FX) Front flange (FW) Back flange (UF) U-clamp (not for T6500) (AJ) Calibration 0,5 % F.S. (not for ranges < 1 bar (dry) or < 4 bar (liquid filled)) (LL) Liquid less gauges (Halocarbon filling not allowed) (NZ) Liquid less gauges, silicon free (not for execution L) (PR) Receiver gauge (OS) Overload stop (VS) Vacuum stop (ATEX) ATEX approval (C3) Material test report acc. to DIN EN 10204 3.1 (C4) Calibration certificate (HY) Hydrostatic test 130% (MQ) PMI test Option listing starts with "X", followed by options separated by "=" Example: X=NH=SG=FW	
(160) 160 mm	T6500	(P) Monel ≤ 1000 bar		(02) ¼ NPT male ¹⁾ (09) 9/16-18 UNF-2B Aminco (13) G ¼ B male ¹⁾ (14) G 3/8 B male ¹⁾ (15) G ½ B male ¹⁾ (16) M20x1,5 male ¹⁾ (KQ) R½ male tapered DIN 2999 ¹⁾ (KN) ½" male straight (JIS, BSP) ¹⁾ (KP) 3/8" male straight (JIS, BSP) ¹⁾						
				¹⁾ max. 1000 bar	¹⁾ not for type T6500	¹⁾ not allowed with liquid less (LL or NS) option ²⁾ not allowed with execu- tion L or with liquid less (LL or NS) option	psi and others on request	¹⁾ not allowed in combination with liquid less (LL) option		

Order example

Size	Type	System material	Execution	Process connection	Connection Orientation	Range	Engineering unit	Filling/Case material	Options
100	T5500	S	D	15	L	0/16	BAR	YW	NH

Ashcroft Instruments GmbH

Germany
 Max-Planck-Str. 1, D-52499 Baesweiler
 P.O. Box 11 20, D-52490 Baesweiler
 Tel.: +49 (0) 2401 808-0, Fax: +49 (0) 2401 808-125

France
 48, Chemin des Landes
 F-69700 Montagny
 Tel.: +33 (0) 9 65 32 71 31, Fax: +33 (0) 4 72 39 10 57

Website: www.ashcroft.eu

e-Mail: sales@ashcroft.com

United Kingdom

Unit 17&18 William James House
 Cowley Road, Cambridge CB4 0WJ
 Tel.: +44 (0) 12 23 39 55 00, Fax: +44 (0) 12 23 39 55 01