

# Industrial and general service gauges

## Model 1009

According ASME B40.1  
 Nominal size 4 1/2 and 6 inch  
 Accuracy: Grade 1A (1 %)

### Features

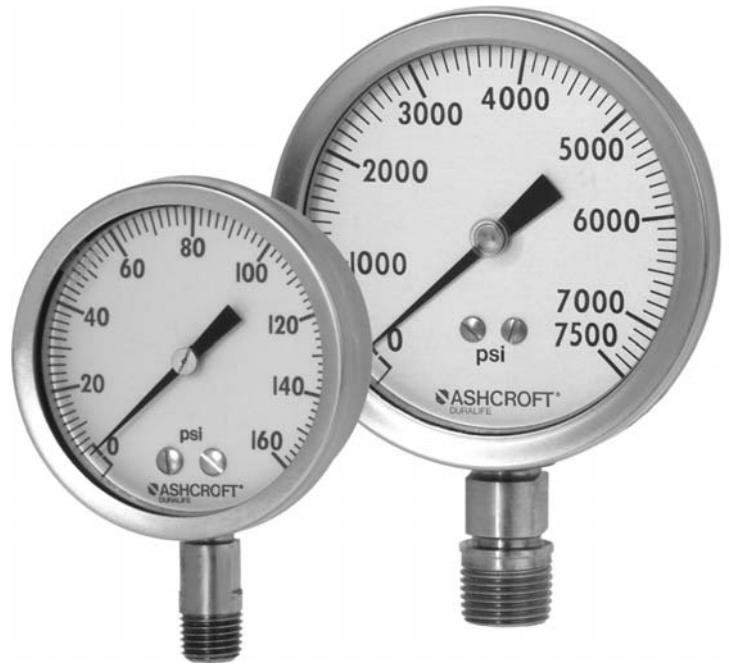
- Rugged construction
- Protection IP54 or IP65
- Overload protection 130 %
- Dry, liquid filled or liquid less (*PLUS!* gauge)
- Measuring system stainless steel or Monel

### Ranges

-1 ... 0 bar up to 0 ... 1600 bar  
 -30 in. Hg ... 0 psi up to 0 ... 30.000 psi

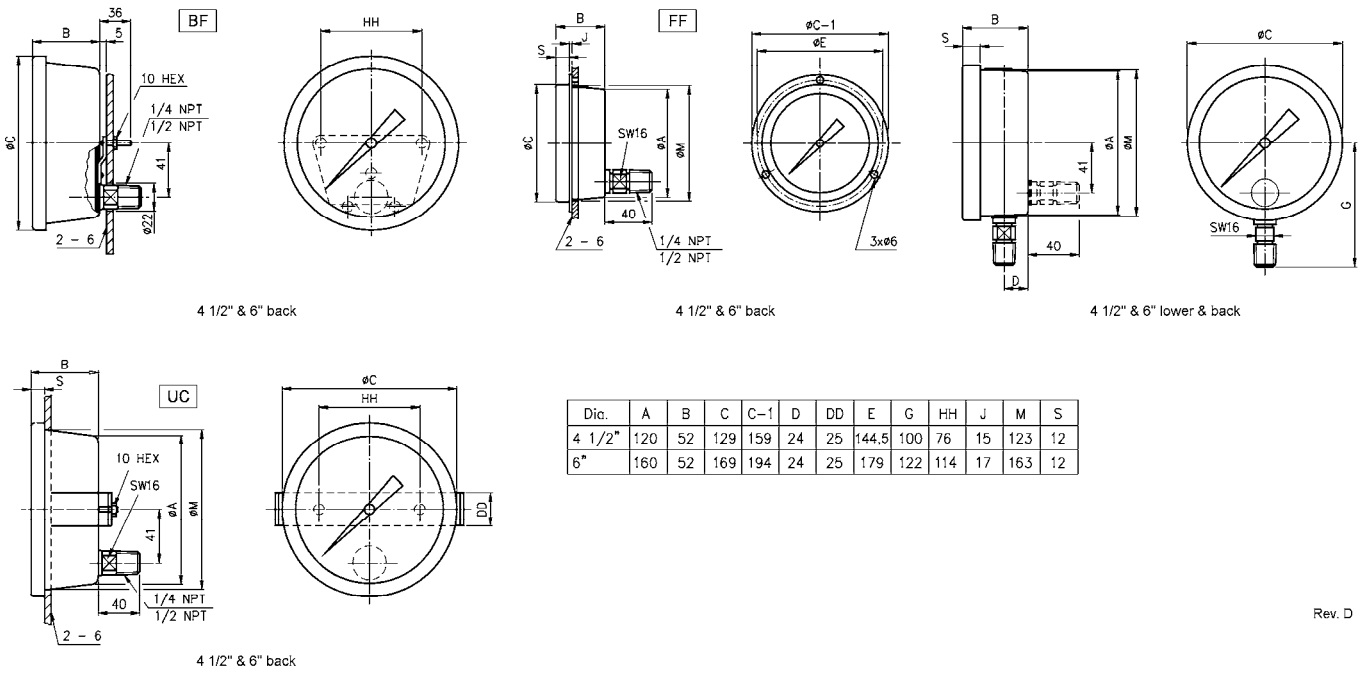
### Applications

Chemical and petrochemical industry  
 Machine and apparatus construction  
 Food and beverage industry  
 Pulp and paper industry



Technical specification	1009	
	4 1/2	6
Dial size in inch	4 1/2	6
Construction	Open front with bayonet ring	
Measuring principle	Bourdon tube	
Range in bar	1 1,6 2,5 4 6 10 16 25 40 60 100 160 250 400 600 1000 1600	
Overpressure limit	-1/0 -1/0,6 -1/1,5 -1/3 -1/5 -1/9	
Pressure type	130 % F.S., short time	
Process connection	Gauge, vacuum and compound	
Process connection	1/4 NPT male, 1/2 NPT male according ANSI/ASME B1.20.1 G 1/4 B male, G 1/2 B male, R 1/2 male tapered (DIN 2999) (metric connection not for brass socket) 9/16-18 UNF-2B Aminco, others on request	
Connection location	Lower, back	
Material		
Pressure connection	Brass, stainless steel 316L (1.4404) or Monel	
Tube	Bronze, stainless steel 316L (1.4404) or Monel (Monel not for dial size 6")	
Case/ring	Stainless steel 304 (1.4301) polished	
Window	Instrument glass, optional laminated safety glass or acrylic glass	
Dial	Aluminum, black markings on white background	
Pointer	Aluminum, black, micrometer adjustment, red set hand, minimum or maximum pointer on request	
Movement	Stainless steel 400 series	
Accuracy	Grade 1A (1 % F.S.), 0,5 % with option DX (former type 1320)	
Permissible		
Ambient temperature	-25 ... 60 °C, liquid filled -45 ... 120 °C	
Medium temperature	Max. 120 °C	
Storage temperature	-40 ... 65 °C	
Effect	Max. 0,3 % / 10 K	
Protection according EN 60 529/IEC 529	IP54 (dry), IP65 (liquid filled), optional IP65 for dry gauges	
Filling liquids	Glycerin, silicone, halocarbon, others on request Optional dampened movement (liquid less gauge), functions as liquid filled gauge ( <i>PLUS!</i> gauge)	
Mounting	Standard stem, optional flush or surface	
Weight dry/filled in kg	0,8/1,2	1,0/1,6
Accessories, options	Diaphragm seals, valves, NACE	

## General dimensions in mm



Rev. D

## Order information

Size	System material	Execution	Process connection	Connection orientation	Range	Engineering units	Filling	Options
<b>(45)</b> 4 1/2" (115 mm)	<b>(A)</b> Bronze tube, brass socket (max. 60 bar)	<b>(=)</b> Standard IP54	<b>(04)</b> 1/2 NPT male <sup>1)</sup>	<b>(L)</b> Lower	<b>-1/ 0</b>	<b>(BAR)</b>	<b>(=)</b> Standard no filling	<b>(NH)</b> Tagging wired
<b>(60)</b> 6" (150 mm)	<b>(S)</b> 316L (1.4404) (max. 1400 bar)	<b>(L)</b> Liquid filled IP65	<b>(09)</b> 9/16-18 UNF-2B Aminco		<b>-1/ 5</b>		<b>(GR)</b> Glycerin	<b>(6B)</b> Oxygen cleaned (not for brass connection)
	<b>(P)</b> Monel (only dial size 4 1/2")		<b>(15)</b> G 1/2 B male <sup>1) 2)</sup>		<b>0/ 1</b>		<b>(SH)</b> Red set hand stationary	<b>(EP)</b> Maximum pointer, adjustable
		<b>(KQ)</b> R1/2 male tapered DIN 2999 <sup>1) 2)</sup>		<b>0/ 1,6</b>		<b>(FF)</b> Front flange		
				<b>0/ 2,5</b>		<b>(BF)</b> Wall mounted bracket		
				<b>0/ 4</b>		<b>(UC)</b> U-clamp		
				<b>0/ 6</b>		<b>(LJ)</b> Field fillable (only for execution "=", IP65)		
				<b>0/ 10</b>		<b>(LL)</b> Liquid less gauges (Halocarbon filling not allowed)		
				<b>0/ 16</b>		<b>(DX)</b> Accuracy 0,5 % (ASME Grade 2A) (equivalent to obsolete model 1320 gauge)		
				<b>0/ 25</b>				
				<b>0/ 40</b>				
				<b>0/ 60</b>				
		<b>0/ 100</b>						
		<b>0/ 160</b>						
		<b>0/ 250</b>						
		<b>0/ 400</b>						
		<b>0/ 600</b>						
		<b>0/1000</b>						
		<b>0/1600</b>						

<sup>1)</sup> max. 1000 bar  
<sup>2)</sup> not for brass connection

psi and others on request

## Order example

Size	Type	System material	Execution	Process connection	Connection orientation	Range	Engineering unit	Filling	Options
45	1009	S	L	02	L	0/16	BAR	GR	NH

## Ashcroft Instruments GmbH

Germany  
Max-Planck-Str. 1, D-52499 Baesweiler  
P.O. Box 11 20, D-52490 Baesweiler  
Tel.: +49 (0) 2401 808-0, Fax: +49 (0) 2401 808-125

France  
„206" ZA du Mandinet, 1/3 Rue des Campanules  
F-77185 Lognes  
Tel.: +33 (0) 1 60 37 25 30, Fax: +33 (0) 1 60 37 25 39

Website: [www.ashcroft.eu](http://www.ashcroft.eu)

e-Mail: [sales@ashcroft.com](mailto:sales@ashcroft.com)

## United Kingdom

Unit 5 William James House  
Cowley Road, Cambridge CB4 0WX  
Tel.: +44 (0) 12 23 39 55 00, Fax: +44 (0) 12 23 39 55 01