

Duragauge® pressure gauge, solid front

Model 1279, 1377, 1379 and 2462

According ASME B40.100
 Nominal size 4 ½, 6 and 8 ½ inch
 Accuracy: Grade 2A (0,5 %)



Features

- Solid front case design, field convertible to hermetically sealed or liquid filled style
- Select from various socket and Bourdon tube materials
- Micrometer adjustable pointer
- 400 Series stainless steel movement wears better for longer life
- Teflon-coated pinion for longer life
- Patented Duratube™ with welded-tube construction controls stresses for longer life
- PLUS!™ Performance Option:
 - Liquid-filled performance in a dry gauge
 - Fights vibration and pulsations without liquid-filled headaches

Ranges

-1 ... 0 bar up to 0 ... 7000 bar
 -30 in. Hg ... 0 psi up to 0 ... 100.000 psi

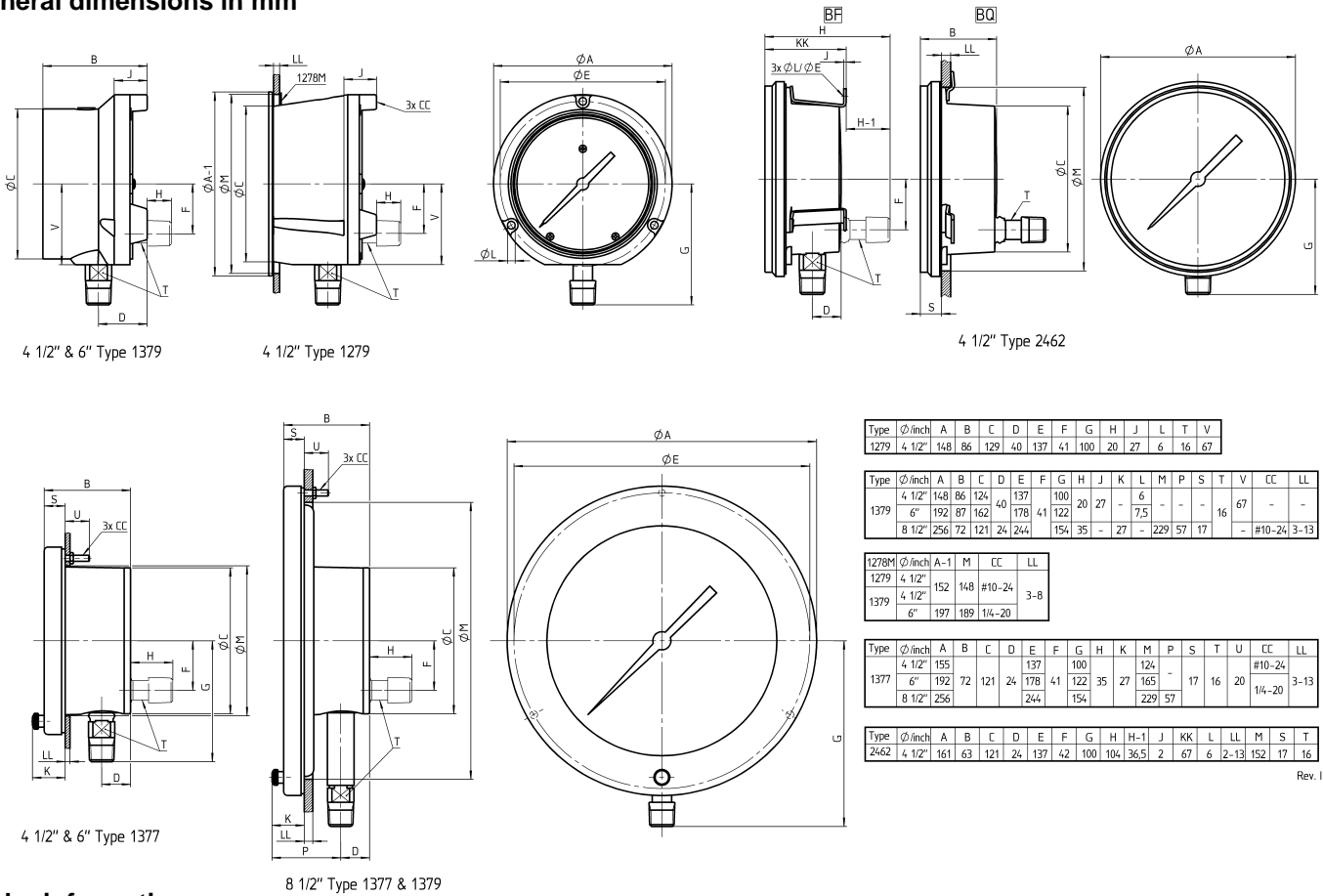
Applications

Chemical and petrochemical industry
 Power plants, nuclear industry
 Aerospace and cryogenics



Technical specification	1279	1379				1377			2462									
Dial size in inch	4 ½	4 ½	6	8 ½	4 ½	6	8 ½	4 ½										
Construction housing ring	Solid front safety pattern with blow out at the back				Threaded Hinged			Bayonet										
Measuring principle	Bourdon tube																	
Range in bar	0,6	1	1,6	2,5	4	6	10	16	25	40	60	100	160	250	400	600	1000	1600
High pressure in bar (6 inch only)	-1/0	-1/0,6	-1/1,5	-1/3	-1/5	-1/9	Receiver 0,2/1											
Overpressure limit	130 % F.S., short time																	
Pressure type	Gauge, vacuum and compound																	
Process connection	¼ NPT male, ½ NPT male according ANSI/ASME B1.20.1																	
Connection location	9/16-18 UNF-2B Aminco, others on request																	
Material	Lower, back																	
Pressure connection	Brass, stainless steel 316L (1.4404) or Monel 400																	
Tube	C510 Phosphor Bronze, stainless steel 316L (1.4404) or K Monel																	
Case	Phenolic				Aluminum, black epoxy coated			Polypropylene										
Ring	Polypropylene				Steel enamel coated			Polypropylene										
Window	Instrument glass, optional laminated safety glass or acrylic glass (standard for high pressure)																	
Dial	Aluminum, black markings on white background																	
Pointer	Aluminum, black, micrometer adjustable, optional red set hand or maximum pointer																	
Movement	Rotary, stainless steel 400 series, stainless steel Teflon coated pinion gear and segment																	
Accuracy	Grade 2A (0,5 % F.S.)																	
Permissible																		
Ambient temperature	-29 ... 93 °C ¹⁾ , liquid filled with glycerin -7 ... 66 °C, liquid filled with silicone or halocarbon -40 ... 66 °C																	
Medium temperature	-29 ... 121 °C, liquid filled with glycerin -7 ... 93 °C, liquid filled with silicone or halocarbon -40 ... 93 °C																	
Storage temperature	-40 ... 121 °C, liquid filled with glycerin -18 ... 66 °C, liquid filled with silicone or halocarbon -40 ... 66 °C																	
Effect	¹⁾ Available for temperatures below -29 °C, see Product Information page ASH/PI-21B for details. Max. 0,3 % / 10 K																	
Protection according EN 60 529/IEC 529	IP54 (dry), IP65 (liquid filled), optional IP65 hermetically sealed for dry gauges																	
Filling liquids	Glycerin, silicone, halocarbon, others on request				Filling not available													
Mounting	Optional dampened movement (PLUS! gauge), liquid less gauge, functions as liquid filled gauge																	
Weight dry/filled in kg	Stem, surface, optional flush		Stem, flush		Stem, flush, optional surface													
≤ 1600 bar	1,1/1,5	1,1/1,5	1,4/2	2	1,1/-	1,4/-	2/-	1,1/-										
≥ 2500 bar	-	-	2,6/3,2	-	-	-	-	-										
Accessories, options	Diaphragm seals, valves, gauges with contacts, gauges with electric output, NACE																	

General dimensions in mm



Order information

Size	Type	System material	Execution	Process connection	Connection orientation	Range	Engineering units	Filling liquid	Options
(45) 4 1/2 inch (115 mm)	1279	(A) Brass socket, bronze tube ¹⁾	(S) Solid front IP54	(04) 1/2 NPT male ¹⁾	(L) Lower	-1/ 0	(BAR)	(=) Standard no filling	(NH) Tagging wired
	1377	(S) 316L (1.4404) ²⁾	(SH) Hermetically sealed IP65, field fillable ¹⁾	(02) 1/4 NPT male ¹⁾	(B) Back ¹⁾	-1/ 1,5		(GV) Silicone	(TX) Throttle screw stainless steel (not for process connection 09)
(60) 6 inch (150 mm) ¹⁾	1379	(P) Monel 400 socket, K-Monel 500 tube ^{2) 4)}	(SL) Liquid filled IP65 ¹⁾	(09) 9/16-18 UNF-2B Aminco (standard for high pressure > 1000 bar)		-1/ 5		(GV3) Silicone 3 cst	(6B) Oxygen service
	2462	(WW) 316 (1.4401) socket, inconel 718 tube ³⁾		(13) G 1/4 B male ^{1) 2)}		-1/ 9		(HA) Halo-carbon	(PD) Acrylic glass
(85) 8 1/2 inch (215 mm) ¹⁾				(15) G 1/2 B male ^{1) 2)}		0/ 0,6		(GR) Glycerin	(SG) Safety glass
				(16) M20x1,5 male ^{1) 2)}		0/ 1			(EP) Maximum pointer adjustable
						0/ 1,6			(SH) Red set hand stationary
						0/ 2,5			(LL) Liquid less gauge (PLUS! gauge)
						0/ 4			(PR) Receiver gauge
						0/ 6			(56) Flush mounting ring for 4 1/2" and 6" type 1279 and 1379
						0/ 10			
						0/ 16			
						0/ 25			
						0/ 40			
					0/ 60				
					0/ 100				
					0/ 160				
					0/ 250				
					0/ 400				
					0/ 600				
					0/ 1000				
					0/ 1600				
					0/ 2500				
					0/ 4000				
					0/ 6000				
					0/ 7000				
							psi and others on request		

¹⁾ not for type 1279 and 2462
²⁾ max. 60 bar
³⁾ max. 1600 bar
⁴⁾ only for high pressure gauges type 60-1379
¹⁾ not for type 1377, 2462 and 8 1/2" type 1379
²⁾ max. 1000 bar
³⁾ with adapter
¹⁾ not for type 85-1379

Order example

Size	Type	System material	Execution	Process connection	Connection orientation	Range	Engineering unit	Filling liquid	Options
45	1279	S	SL	15	L	0/16	BAR	GR	NH

Ashcroft Instruments GmbH

Germany
 Max-Planck-Str. 1, D-52499 Baesweiler
 P.O. Box 11 20, D-52490 Baesweiler
 Tel.: +49 (0) 2401 808-0, Fax: +49 (0) 2401 808-125

France
 48, Chemin des Landes
 F-69700 Montagny
 Tel.: +33 (0) 9 65 32 71 31, Fax: +33 (0) 4 72 39 10 57

Website: www.ashcroft.eu

e-Mail: sales@ashcroft.com

United Kingdom

Unit 17 & 18 William James House
 Cowley Road, Cambridge CB4 0WX
 Tel.: +44 (0) 12 23 39 55 00, Fax: +44 (0) 12 23 39 55 01