

All stainless steel gauge open front Model T5400

According EN 837-1
Nominal size 100 mm
Accuracy: Class 1 (EN)

Features

- Rugged stainless steel construction
- Socket and case welded
- Protection IP65
- Usable for steady pressure
- Overload protection 130 %
- Dry or liquid filled
- Measuring system stainless steel

Ranges

-1 ... 0 bar up to 0 ... 1000 bar
-30 in. Hg ... 0 psi up to 0 ... 14.500 psi

Applications

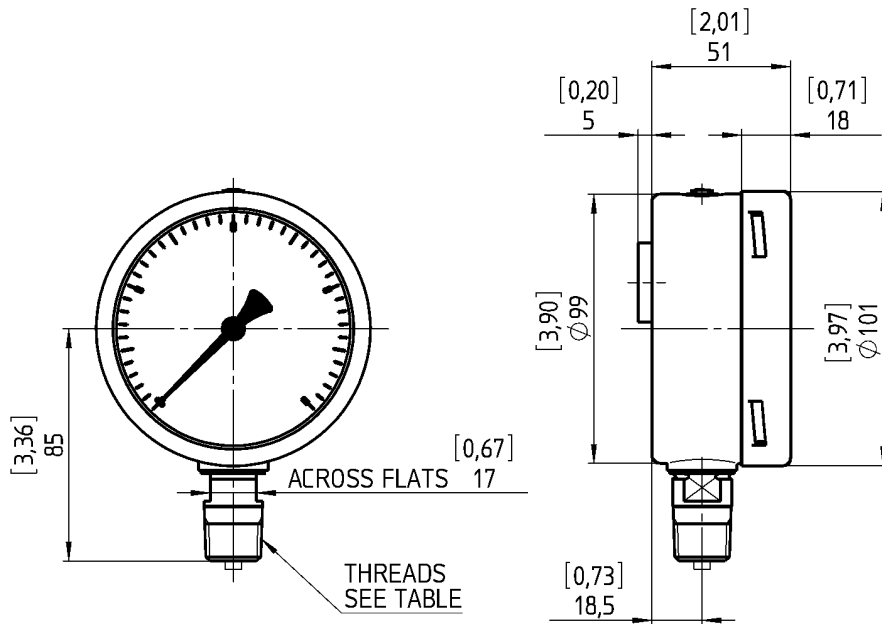
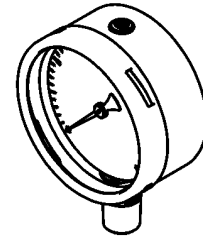
Auxiliary processes at chemical industry
Machine and apparatus construction
Food and beverage industry
Pulp and paper industry



Technical specification	T5400
Dial size in mm	100
Construction	Open front cylindrical case with blow out disc at the back and ventable fill plug at the top
Measuring principle	Bourdon tube
Range in bar	1 1,6 2,5 4 6 10 16 25 40 60 100 160 250 400 600 1000 -1/0 -1/0,6 -1/1,5 -1/3 -1/5 -1/9
Overpressure limit	130 % F.S., short time
Pressure type	Gauge, vacuum and compound
Process connection	G ½ B male according EN 837, M20x1,5 male, ½ NPT male according ANSI/ASME B1.20.1, Others on request
Connection location	Lower
Material	
Pressure connection	Stainless steel 316L (1.4404)
Tube	Stainless steel 316L (1.4404)
Case/bayonet ring	Stainless steel 304 (1.4301)
Window	Instrument glass, optional laminated safety glass or acrylic glass
Dial	Aluminum, black markings on white background
Pointer	Aluminum, black, optional adjustable micrometer pointer
Movement	Stainless steel 304/303 (1.4301/1.4305)
Accuracy	Class 1 (1 % F.S.)
Permissible	
Ambient temperature	-25 ... 60 °C
Medium temperature	Max. 200 °C (dry), max. 100 °C (liquid filled)
Storage temperature	-40 ... 60 °C
Effect	Max. 0,4 % / 10 K
Protection according EN 60 529/IEC 529	IP65
Filling liquids	Glycerin, silicone, others on request
Mounting	Standard stem
Weight dry/filled in kg	0,8/1,0
Accessories, options	Diaphragm seals, valves

General dimensions in mm

THREADS	CODE
1/2-14 NPT MALE; DIN EN 837	04
G 1/2 B MALE; DIN EN 837	15
M20x1,5 MALE	16



Order information

Size	Type	System material	Execution	Process connection	Connection orientation	Range	Engineering unit	Filling	Options	
(100) 100 mm	T5400	(S) 316L (1.4404)	(D) Dry (L) Liquid filled	(04) ½ NPT male (15) G ½ B male (16) M20x1,5 male	(L) Lower	-1/ 0 -1/ 0,6 -1/ 1,5 -1/ 3 -1/ 5 -1/ 9 0/ 1 0/ 1,6 0/ 2,5 0/ 4 0/ 6 0/ 10 0/ 16 0/ 25 0/ 40 0/ 60 0/ 100 0/ 160 0/ 250 0/ 400 0/ 600 0/1000	(BAR)	(=) Standard no filling (GV) Silicone (GR) Glycerin	(NH) Tagging wired (CS) Dual scale (DA) Dial Marking (TU) Throttle plug stainless steel (MP) Micrometer pointer (PD) Acrylic glass (SG) Safety glass (LJ) Field fillable (only for execution D)	
							psi and others on request			

Order example

Size	Type	System material	Execution	Process connection	Connection orientation	Range	Engineering unit	Filling	Options
100	T5400	S	D	04	L	0/16	BAR	=	SG

Ashcroft Instruments GmbH

Germany
Max-Planck-Str. 1, D-52499 Baesweiler
P.O. Box 11 20, D-52490 Baesweiler
Tel.: +49 (0) 2401 808-0, Fax: +49 (0) 2401 808-125

France
48, Chemin des Landes
F-69700 Montagny
Tel.: +33 (0) 9 65 32 71 31, Fax: +33 (0) 4 72 39 10 57

Website: www.ashcroft.eu

e-Mail: sales@ashcroft.com

United Kingdom

Unit 5 William James House
Cowley Road, Cambridge CB4 0WX
Tel.: +44 (0) 12 23 39 55 00, Fax: +44 (0) 12 23 39 55 01