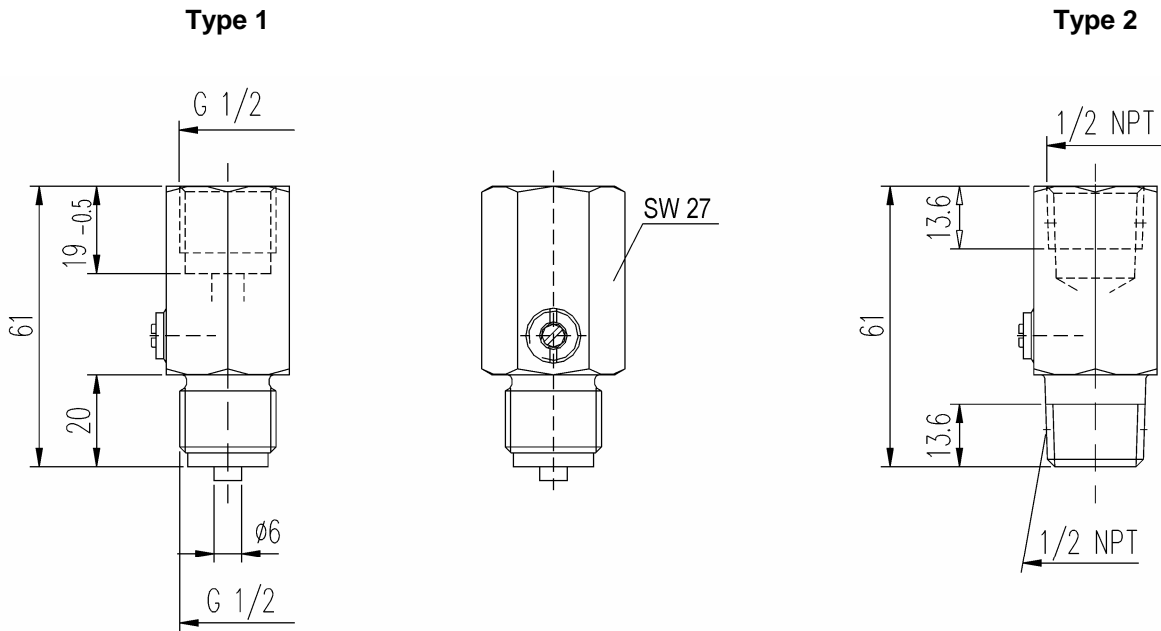


Gauge snubber / pulsation dampener



Type	Material	Connection thread ¹⁾	Part no.
1	brass	G 1/2	15-PD02-MS-51-250-BAR
	steel		15-PD02-SC-51-400-BAR
	st. st.		15-PD02-SS-51-400-BAR
2	brass	1/2 NPT	04-PD02-MS-50-250-BAR
	st. st.		04-PD02-SS-50-400-BAR

Components	Brass	Steel	Stainless steel
	DIN-Material Number		
Body ²⁾	brass	steel	316Ti (1.4571)
Screw plug	brass	steel	316Ti (1.4571)
O-ring	NBR		Viton®
Adjusting stem	316L (1.4404)		

- Surface: steel phosphatized

- max. temperature: 120 °C

¹⁾ Also available with connection thread G 1/4, G 3/8 and 1/4 NPT

²⁾ The brass and stainless steel types can be supplied for oxygen service. Please notice order instruction B 3!
max. 400 bar at 60 °C