

All stainless steel contact gauge open or solid front Model T5500-KF and T6500-KF

According EN 837-1
Nominal size 100 mm or 160 mm
Accuracy: Class 1 (EN)



Features

- Rugged stainless steel construction
- Socket and case welded
- Protection IP65
- Optional ATEX approved $\text{CE} \text{ II } 2 \text{ G c}$
- Usable to full scale
- Overload protection 130 %
- Dry, liquid filled or liquid less (*PLUS!* gauge)
- Measuring system stainless steel or Monel

Ranges

-1 ... 0 bar up to 0 ... 1000 bar
-30 in. Hg ... 0 psi up to 0 ... 15.000 psi

Applications

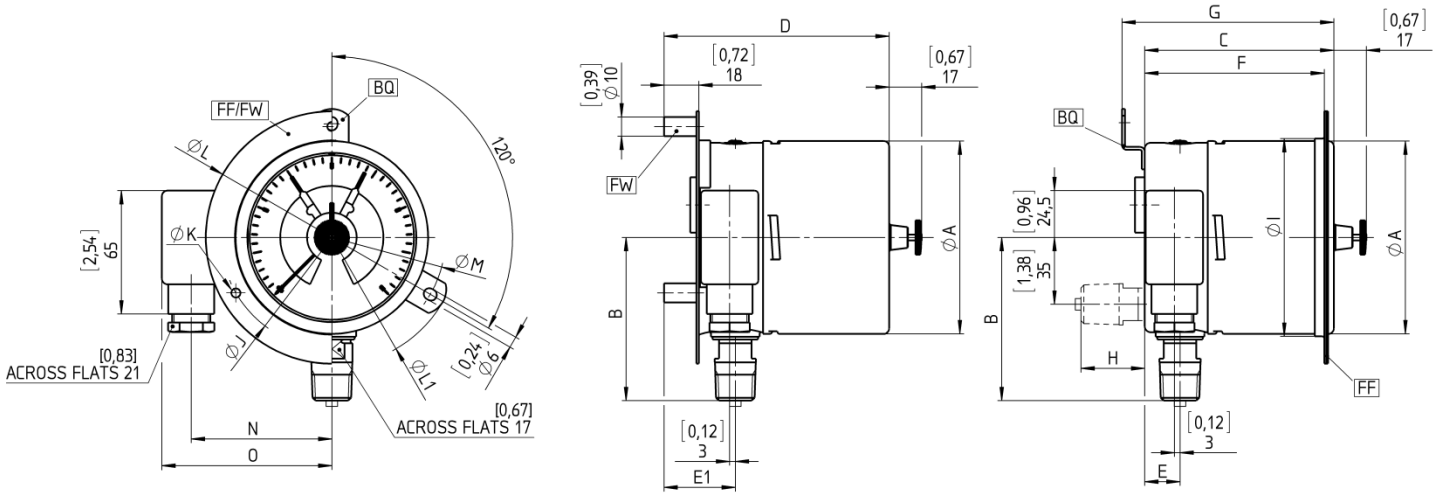
Chemical and petrochemical industry
Machine and apparatus construction
Food and beverage industry
Pulp and paper industry



Technical specification	T5500-KF		T6500-KF	
	100	160	100	160
Dial size in mm				
Construction	Open front cylindrical case with blow out disc at the back		Solid front safety pattern cylindrical case with blow out at the back	
Measuring principle	Bourdon tube			
Range in bar	0,6 1 1,6 2,5 4 6 10 16 25 40 60 100 160 250 400 600 1000			
Overpressure limit	-1/0 -1/0,6 -1/1,5 -1/3 -1/5 -1/9 -1/15 -1/24			
Pressure type	130 % F.S., short time			
Process connection	Gauge, vacuum and compound			
Process connection	G ¼ B male, G ½ B male, G ¾ B male according EN 837-1, M20x1,5 male, R ½ male tapered (DIN 2999), ½" male straight (JIS, BSP), ¾" male straight (JIS, BSP), ¼ NPT male, ½ NPT male according ANSI/ASME B1.20.1, 9/16-18 UNF-2B Aminco (high pressure), Others on request (for pressure limitations see order information)			
Connection location	Lower, back		Lower only	
Material				
Pressure connection	Stainless steel 316L (1.4404), optional Monel 400			
Tube	Stainless steel 316L (1.4404), optional Monel K-500			
Case/bayonet ring	Stainless steel 304 (1.4301)			
Window	Polycarbonate with front excess adjustment key			
Dial	Aluminum, black markings on white background			
Pointer	Aluminum, black, red setpoint setting pointer			
Movement	Stainless steel 304/303 (1.4301/1.4305)			
Accuracy	Class 1 (1 % F.S.)			
Permissible				
Ambient temperature	-20 ... 60 °C			
Medium temperature	-20 ... 49 °C for ATEX approved instrument			
Storage temperature	Max. 200 °C (dry), max. 100 °C (liquid filled)			
Effect	-20 ... 49 °C for ATEX approved instrument			
Protection according EN 60 529/IEC 529	-40 ... 60 °C			
Conformity according to RL 2014/34/EU appendix X for mechanical equipment in potential hazardous areas	Max. 0,4 % / 10 K			
Filling liquids	IP65			
Mounting	Optional, Marking $\text{CE} \text{ II } 2 \text{ G c}$ IIC T6 for the pressure gauge and Ex ia IIC T6 IP65 for inductive proximity switch			
Weight dry/filled in kg	0,8/1,0		1,2/2,0	
Accessories, options	File no. 35134582 at notified body 0044, TÜV NORD CERT			
	Element 14* PDMS 50-E for magnetic spring contacts			
	White oil for inductive proximity switches			
	Optional dampened movement (liquid less gauge), functions as liquid filled gauge (<i>PLUS!</i> gauge)			
	Standard stem, optional flush or surface, others on request			
	0,8/1,0		1,2/2,0	
	Diaphragm seals, valves, details of contacts see data sheet DS K5500			

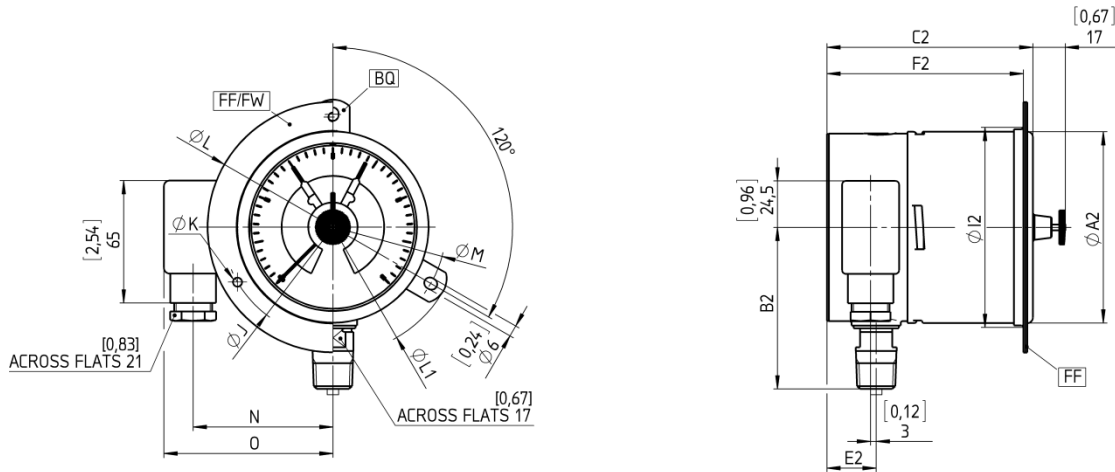
General dimensions in mm

T5500-KF open front with blow out compensation plug



NG	A	B	C	D	E	E1	F	G	H	I	J	K	L	L1	M	N	O
100 mm	[3,97] 101	[3,36] 85	[3,90] 99	[4,64] 118	[0,73] 18,5	[1,44] 36,5	[3,70] 94	[4,37] 111	[1,38] 35	[4,07] 103	[4,57] 116	[0,19] 4,8	[5,20] 132	[5,28] 134	[4,69] 119	[2,90] 74	[3,50] 89
160 mm	[6,35] 161	[4,54] 115	[3,94] 100	[4,68] 119	[0,67] 17	[1,47] 37	[3,70] 94	[4,41] 112	[1,46] 37	[6,46] 164	[7,01] 178	[0,22] 5,5	[7,72] 196	[7,64] 194	[7,05] 179	[4,06] 103	[4,67] 119

T6500-KF solid front with blow out back wall



NG	A2	B2	C2	E2	F2	I2	J	K	L	N	O
100 mm	[3,97] 101	[3,36] 85	[4,27] 109	[1,02] 26	[4,07] 104	[4,07] 103	[4,57] 116	[0,19] 4,8	[5,20] 132	[2,90] 74	[3,50] 89
160 mm	[6,35] 161	[4,54] 115	[4,51] 115	[1,11] 28	[4,27] 109	[6,46] 164	[7,01] 178	[0,22] 5,5	[7,72] 196	[4,06] 103	[4,69] 119

Rev. -

Ashcroft Instruments GmbH

Germany
Max-Planck-Str. 1,
D-52499 Baesweiler
P.O. Box 11 20, D-52490 Baesweiler
Tel.: +49 (0) 2401 808-0

France
„206“ ZA du Mandinet, 1/3 Rue des Cam-
panules,
F-77185 Lognes
Tel.: +33 (0) 1 60 37 25 30

Website: www.ashcroft.eu

Ashcroft Instruments Ltd.
Unit 17 & 18 William James House
Cowley Road,
Cambridge CB4 0WX
Tel.: +44 (0) 12 23 39 55 00

e-Mail: sales@ashcroft.com

Ashcroft ISTANBUL
Gayrettepe Mah. Yildiz Posta Cad.
Yildiz Residence No:24 K:1 D:4
34349 Besiktas –Istanbul
Tel.: +90 (0)212 3270847

Order information

Size	Type	System material	Execution	Process connection	Connection orientation	Range	Engineering unit	Filling/Contact	Options
(100) 100 mm	T5500 -KF	(S) 316L (1.4404) ≤ 1000 bar	(D) Dry (L) Liquid filled	(04) ½ NPT male ¹⁾ (02) ¼ NPT male ¹⁾ (09) 9/16-18 UNF-2B Aminco (13) G ¼ B male ¹⁾ (14) G 3/8 B male ¹⁾ (15) G ½ B male ¹⁾ (16) M20x1,5 male ¹⁾ (KQ) R½ male tapered DIN 2999 ¹⁾ (KN) ½" male straight (JIS, BSP) ¹⁾ (KP) 3/8" male straight (JIS, BSP) ¹⁾	(L) Lower (B) Back ¹⁾	-1/ 0 ¹⁾ -1/ 1,5 -1/ 3 -1/ 5 -1/ 9 -1/ 15 -1/ 24 0/ 1 ¹⁾ 0/ 1,6 0/ 2,5 0/ 4 0/ 6 0/ 10 0/ 16 0/ 25 0/ 40 0/ 60 0/ 100 0/ 160 0/ 250 0/ 400 0/ 600 0/1000	(BAR)	(=) Standard no filling (GT) Element 14* PDMS for mag- netic spring contacts (GQ) White oil for induc- tive prox- imity switches () For details of con- tacts see data sheet DS K5500 ATEX approved contact gauges only with inductive proximity switches	(NH) Tagging wired (CS) Dual scale (Outer scale is dominant) (DA) Dial Marking (TU) Throttle plug stainless steel (6B) Cleaned for Oxygen service (not for T5500 (open front) acc. EN 837-1) (6W) Cleaned free of oil and grease (BQ) Wall mounting brackets (FF) Front flange (FW) Back flange (UF) U-clamp (not for T6500) (LL) Liquid less gauges (Halocarbon filling not allowed) (NZ) Liquid less gauges, silicon free (not for execution L) (OS) Overload stop (VS) Vacuum stop (ATEX) ATEX approval (C3) Material test report acc. to DIN EN 10204 3.1 (C4) Calibration certificate (HY) Hydrostatic test 130% (MQ) PMI test Option listing starts with "X", followed by options separated by "=" Example: X=NH=SG=FW
(160) 160 mm	T6500 -KF	(P) Monel ≤ 1000 bar							
						¹⁾ not allowed with liquid less (LL or NS) option ²⁾ not allowed with execu- tion L or with liquid less (LL or NS) option			
				¹⁾ max. 1000 bar	¹⁾ not for type T6500-KF		psi and others on request		

Order example

Size	Type	System material	Execution	Process connection	Connection Orientation	Range	Engineering unit	Filling/Contact	Options
100	T5500-KF	S	D	15	L	0/16	BAR	M2100	NH

Ashcroft Instruments GmbH

Germany
Max-Planck-Str. 1,
D-52499 Baesweiler
P.O. Box 11 20, D-52490 Baesweiler
Tel.: +49 (0) 2401 808-0

France
„206“ ZA du Mandinet, 1/3 Rue des Cam-
panules,
F-77185 Lognes
Tel.: +33 (0) 1 60 37 25 30

Website: www.ashcroft.eu

Ashcroft Instruments Ltd.
Unit 17 & 18 William James House
Cowley Road,
Cambridge CB4 0WX
Tel.: +44 (0) 12 23 39 55 00

e-Mail: sales@ashcroft.com

Ashcroft ISTANBUL
Gayrettepe Mah. Yildiz Posta Cad.
Yildiz Residence No:24 K:1 D:4
34349 Besiktas -Istanbul
Tel.: +90 (0)212 3270847